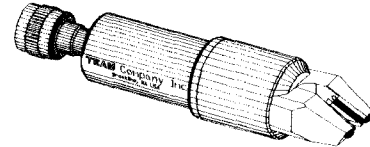
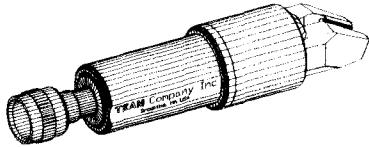
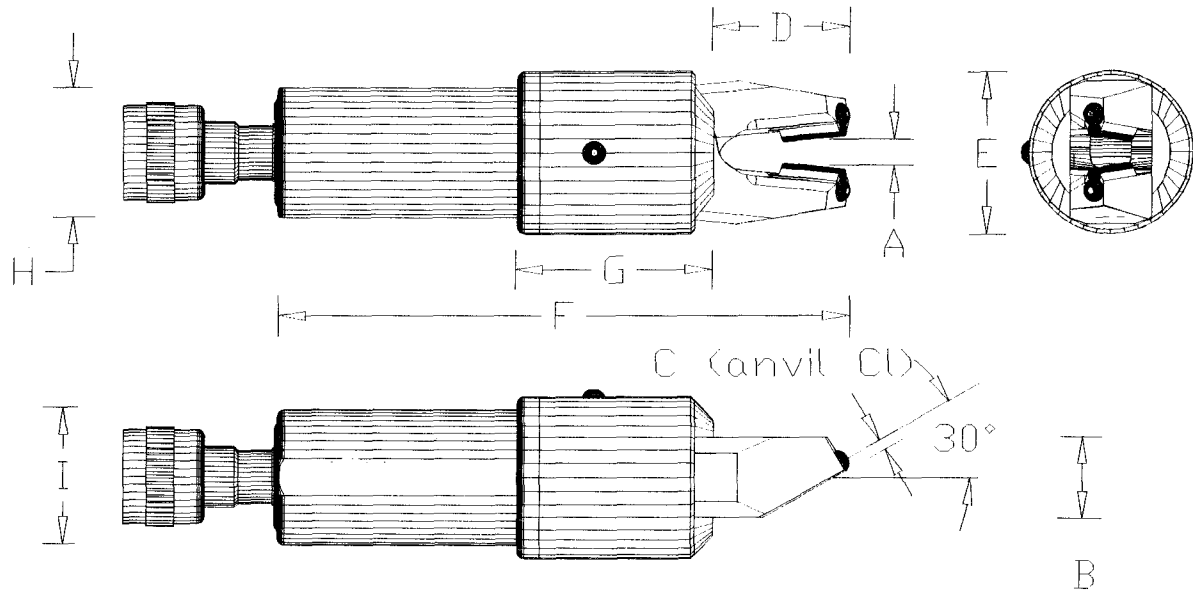
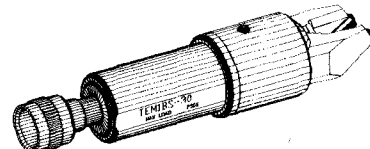
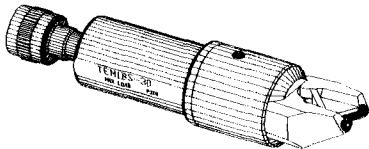


DATA SHEET

GST-1BS-4230-C HYDRAULIC PINCH-OFF PRESS 30° APPROACH ANGLE SCISSORS-ACTION



GST-1BS-4230-C is the most popular scissors action tool for small tube applications. A 30° approach angle has the advantage of maximizing body clearance from tube axis while minimizing distance from AA face to TC centerline. This tool configuration allows shorter process tube lengths while providing short stub length after pinch-off.



SPECIFICATIONS (IN)

TOOL	A	B	C	D	E	F	G	H	I	anvil
GST-1BS-4230-C	.25	.75	.10	1.0	1.5	5.0	1.8	1.2	1.25	.125